

V5328A FLANGED LINEAR VALVE PN16

SPECIFICATION DATA



GENERAL

These single seated valves are used for modulating control of hot / chilled water or steam in heating, ventilating and air conditioning systems.

The valves can be operated by linear actuators ML6420/ML6425, ML7420/ML7425 or M6421/M7421 or by pneumatic actuators MP953.

FEATURES

- Iron body with flanged end connections
- Low seat leakage rate
- Metal to metal seating for long life span
- Self adjusting packing
- Accurate positioning to ensure state of the art temperature control
- Easy mounting of direct coupled electric and pneumatic actuators
- Approved according to DIN 32730

SPECIFICATIONS

Action	Stem down to close
Nominal pressure rating	PN16
Flow characteristic	Equal percentage, $n_{gl} = 3.4$
Rangeability	50:1
Leakage rate	≤ 0.05 % of k_{vs} up to DN50 ≤ 0.1 % of k_{vs} DN65 to DN80
Stroke	20 mm
Valve body	
End connections	Flanged per ISO 7005-2
Material	Cast iron (GG25)
Dimensions	See Fig. 1
Trim	
Seat	Stainless steel, replaceable
Stem	Stainless steel
Plug	Stainless steel, skirt guided
Packing	Spring loaded PTFE cone rings
Medium temperature and pressure	2...120 °C; max. 1600 kPa 120...150 °C; max. 1400 kPa 150...170 °C; max. 1370 kPa
Maximum temperature differential in alternating hot/cold water use	60 K

SIZES AND FLOW CAPACITIES

Order Number	Valve Size	kvs
V5328A1138	DN15	0.25
V5328A1146	DN15	0.40
V5328A1153	DN15	0.63
V5328A1005	DN15	1.0
V5328A1013	DN15	1.6
V5328A1021	DN15	2.5
V5328A1039	DN15	4.0
V5328A1047	DN20	4.0
V5328A1054	DN20	6.3
V5328A1062	DN25	10.0
V5328A1070	DN32	16.0
V5328A1088	DN40	25.0
V5328A1096	DN50	40.0
V5328A1104	DN65	63.0
V5328A1112	DN80	100.0

INSTALLATION

- Water should meet VDI 2035 requirements.
- Do not install valve with stem below the horizontal.
- Fluid flow must correspond with the arrow direction on the valve body.
- The installation of a strainer is strongly recommended.

CLOSE OFF PRESSURE RATINGS in kPa

Pneumatic actuators

Actuator	Actuator Spring Range	Air Pressure in Actuator	Valve Size								
			DN15 kvs 0.25...1.6	DN15 kvs 2.5...4	DN20	DN25	DN32	DN40	DN50	DN65	DN80
MP953C; (5")	14-48kPa (2-7PSI)	115kPa	1600	750	750	750	430	260	130	70	30
MP953A,C; (5")	27-76kPa (4-11PSI)		1600	430	430	430	240	130	70	-	-
MP953C; (5")	55-83kPa (8-12PSI)		1600	240	240	240	120	60	20	-	-
MP953C; (8")	14-48kPa (2-7PSI)		1600	1600	1600	1600	1600	1000	760	400	180
MP953A,C; (8")	27-76kPa (4-11PSI)		1600	1500	1500	1500	900	560	360	190	80
MP953C; (8")	55-83kPa (8-12PSI)		1600	1200	1200	1200	710	440	300	140	60
MP953D; (7")	17-76kPa (4-11PSI)	0kPa	1600	590	590	590	340	200	120	50	15
MP953B,D; (7")	55-90kPa (8-13PSI)		1600	1370	1370	1370	810	500	350	160	70

REPAIR PACKING KIT

Part No.: R 43 176 754 - 001 (DN15...DN32)
R 43 176 754 - 002 (DN40...DN80)

ACTUATORS

Pneumatic actuators

Actuator Model	Actuator Size	Acting		Positioner
		Direct	Reverse	
MP953A	5", 8"	x		yes
MP953B	7"		x	
MP953C	5", 8"	x		no
MP953D	7"		x	

Electric actuators

Stem Force/Actuator		
600 N	600 N Spring Return	1800 N
ML6420A ML7420A	ML6425A,B ML7425A,B	M6421A M7421A

Electric actuators

Actuator		Valve Size								
Model	Force	DN15 k _{VS} 0.25..1.6	DN15 k _{VS} 2.5..4	DN20	DN25	DN32	DN40	DN50	DN65	DN80
ML6420A, ML6425A,B ML7420A, ML7425A,B	600 N	1600	1000	1000	1000	600	350	200	120	50
M6421A, M7421A	1800 N	1600	1600	1600	1600	1600	1300	750	470	230

DIMENSIONS (mm)

Valve

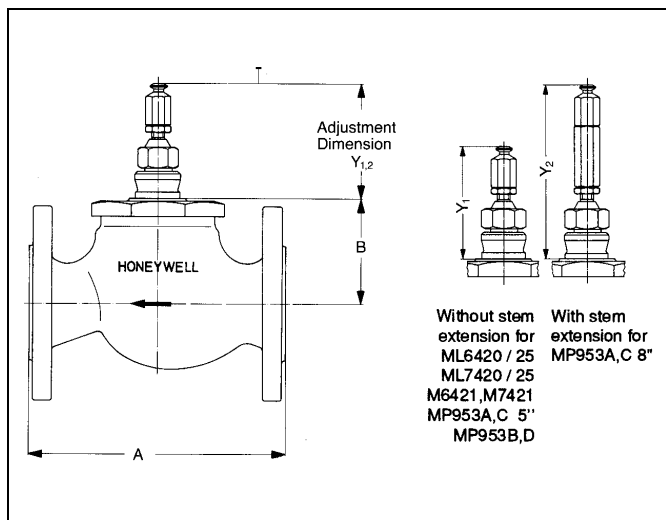


Fig. 1 V5328A

Valve Size	A	B	Y ₁ *	Y ₂ *
DN15	130	72	89 Valve closed	133 Valve closed
DN20	150			
DN25	160			
DN32	180	89		
DN40	200	93		
DN50	230			
DN65	290	112		
DN80	310	114		

* = Adjustment dimension

Pneumatic actuators

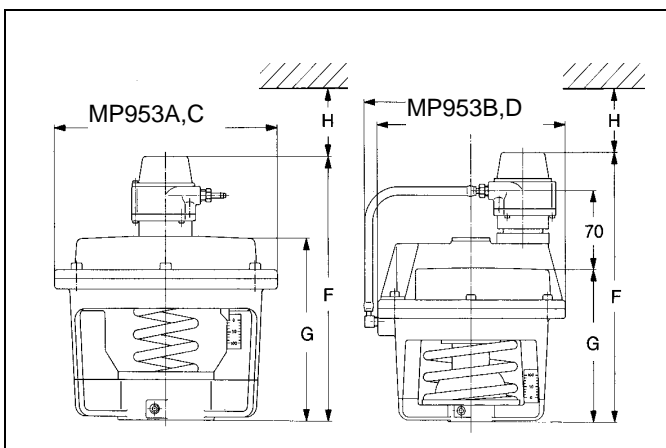


Fig. 2 MP953A,C/MP953B,D

Model	ØE	F	G	H	K
MP953A, 5"	130	192	-	120	-
MP953C, 5"		-	120		-
MP953B, 8"	210	237	-	140	-
MP953D, 8"		-	165		-
MP953B	180	242	-	120	140
MP953D		-	137		

Electric actuators

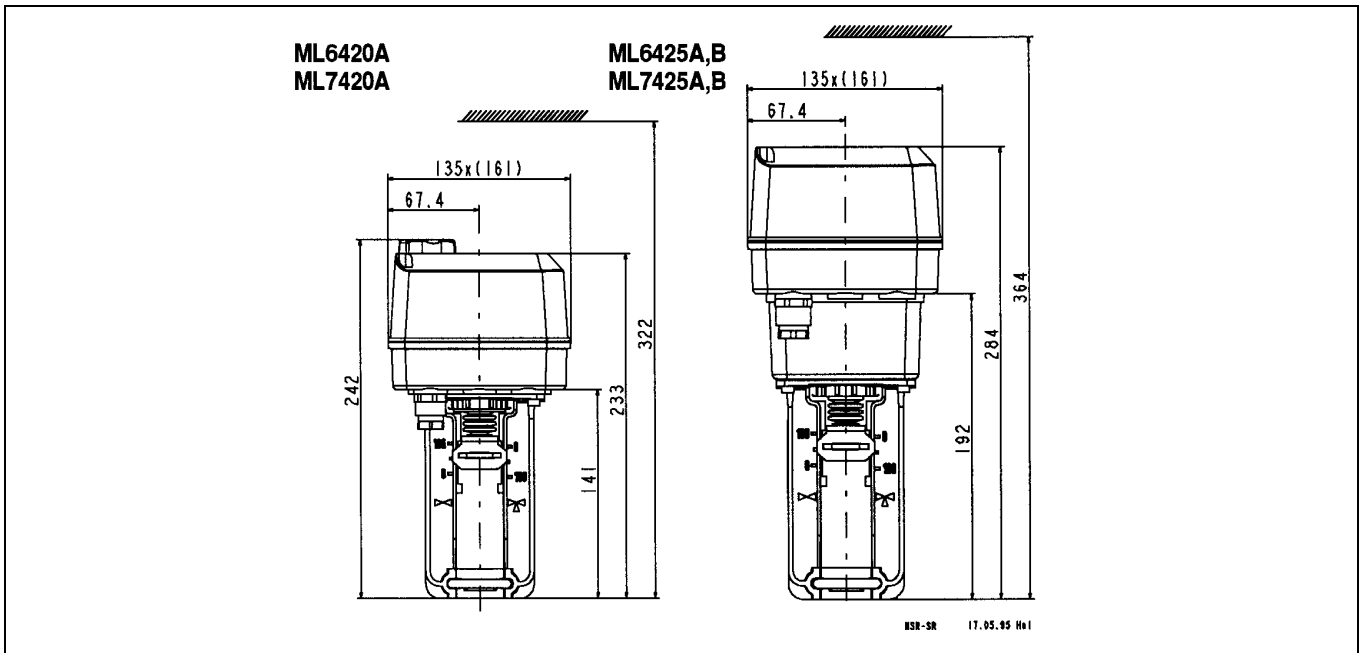


Fig. 3 ML6420A/ML6425A,B and ML7420A/ML7425A,B

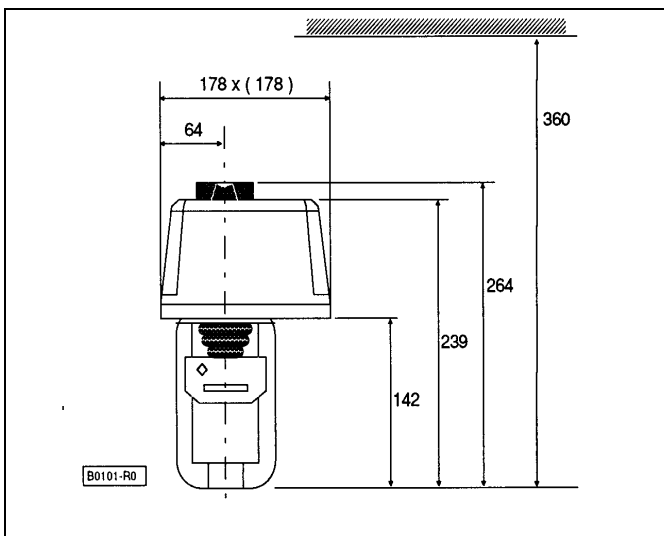


Fig. 4 M6421A/M7421A

NOTE: V5328A valves in combination with the following actuators are approved according to DIN 32730:

Actuator O.S. No.	DIN Registration No.
ML6425A3006 ML6425A3014 ML7425A3005	1F13995
MP953B5003 MP953D5009	1F12392

Honeywell

Home and Building Control Products

Honeywell Regelsysteme GmbH
Honeywellstrasse 2-6
D-63477 Maintal
Phone: (49) 6181 4010
Fax: (49) 6181 45456
<http://europe.hbc.honeywell.com>

Subject to change without notice. Printed in Germany

Manufacturing location certified to

**DIN EN
ISO 9001**