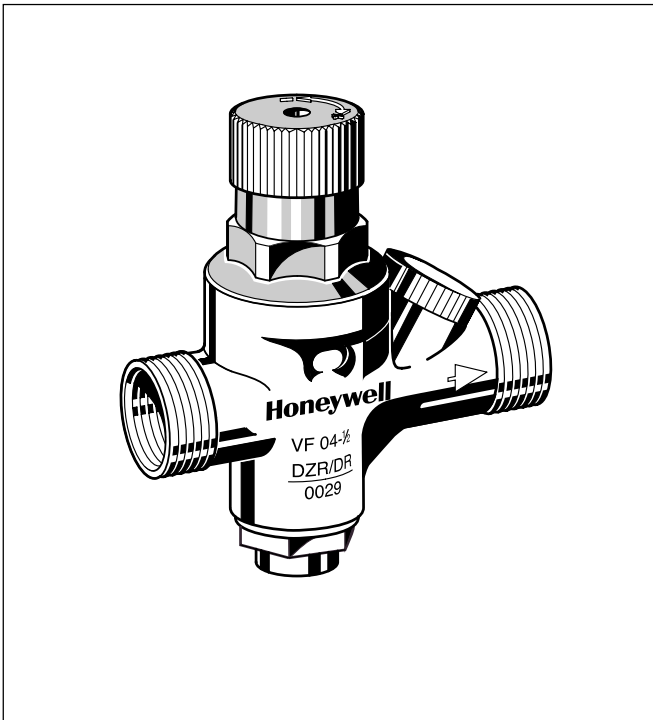


VF 04 Filling valve for closed heating systems

Product specification sheet



Construction

The filling valve comprises:

- Housing with G 1/4" pressure gauge connection
- Spring bonnet with adjustment opening
- Green adjustment knob
- Pressure reducing valve
- Non return valve cartridge
- Shutoff insert

Materials

- Brass housing, dezincification resistant
- High-quality synthetic material spring bonnet
- Spring steel adjustment spring
- High-quality synthetic material non return valve cartridge
- Fibre-reinforced NBR diaphragm
- NBR seals

Application

The VF 04 filling valve permit simple and safe filling or refilling of a closed heating system.

A pressure reducing valve, a check valve and a shutoff facility are combined in one unit. The pressure gauge connection enables fitting of a pressure gauge (available as an accessory) to provide accurate checking of the pressure of a system after filling.

Special Features

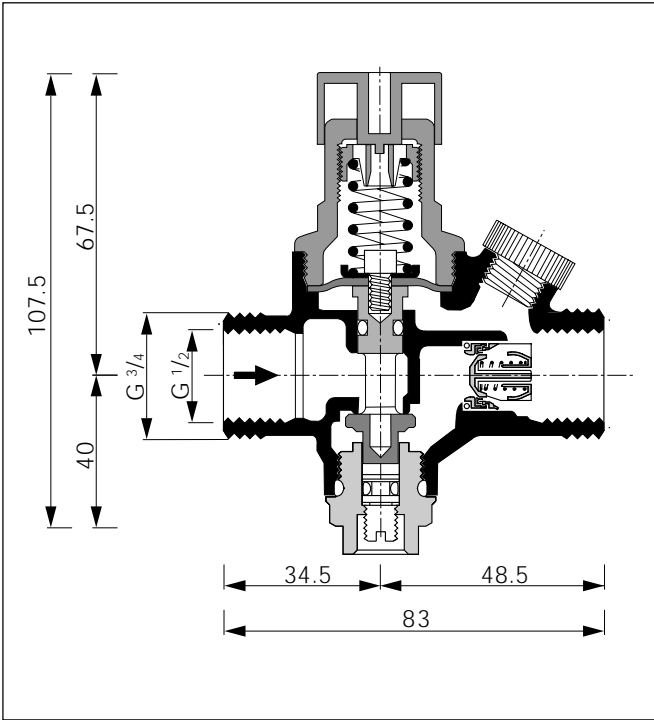
- Housing with internal and external threads
- Outlet pressure adjustable with green adjustment knob
- Green adjustment knob can also be used for shutoff facility
- Simple construction
- The adjustment spring is not in contact with the water
- DIN/DVGW approved check valve
- Balanced-seat pressure reducing valve - inlet pressure fluctuations do not influence outlet pressure
- Integral shutoff facility
- Alternative connections

Range of Application

Closed heating systems to DIN 4751

Technical Data

Operating temperature	Maximum 70 °C
Inlet pressure	Maximum 16.0 bar
Outlet pressure	1.5 bar to 6.0 bar adjustable
Connections	R 1/2" internal and R 3/4" external threads

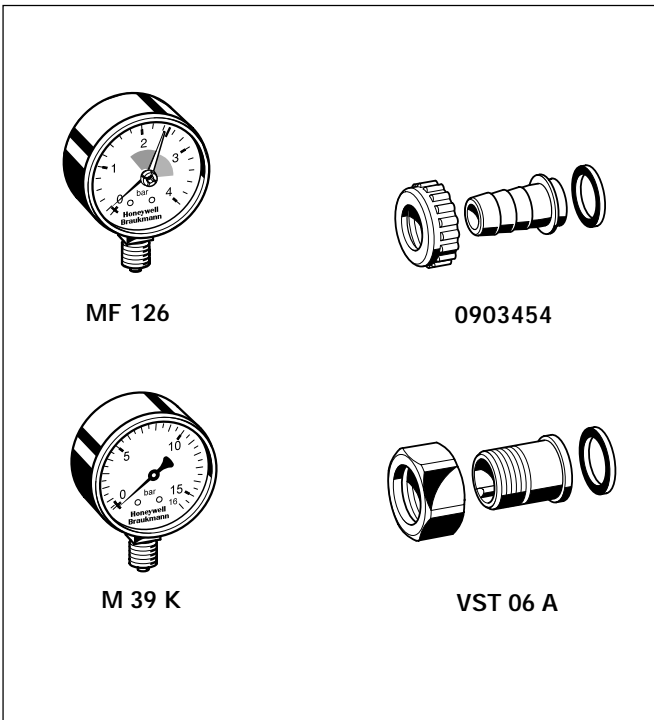


Method of Operation

The integral pressure reducing valve operates by means of a force equalising system. The force of a diaphragm operates against the force of an adjustment spring. The inlet pressure does not influence either opening or closing of the valve. Inlet pressure fluctuations do not therefore influence the outlet pressure, thus providing inlet pressure compensation. An integral check valve protects the drinking water supply by allowing water to pass through in only one direction. In the flow direction, a seal disc is pushed open against the force of a spring by differential pressure.

Versions

VF 04 - 1/2 E = With internal and external threads



Accessories

MF 126 Pressure gauge

Housing diameter 63 mm, connection thread G 1/4", range 0 - 4 bar, with red hand at 1.5 bar, red mark at 2.5 bar and green field between 1.5 and 2.5 bar

M 39 K Pressure gauge

Housing diameter 63 mm, connection thread G 1/4". Range: 0 - 10 bar. Please indicate upper value of pressure range when ordering

0903454 Hose connector union complete

With hose connector union, screw and gasket ring

VST 06-1/2 A Connection set

With threaded union connector, screw and gasket ring