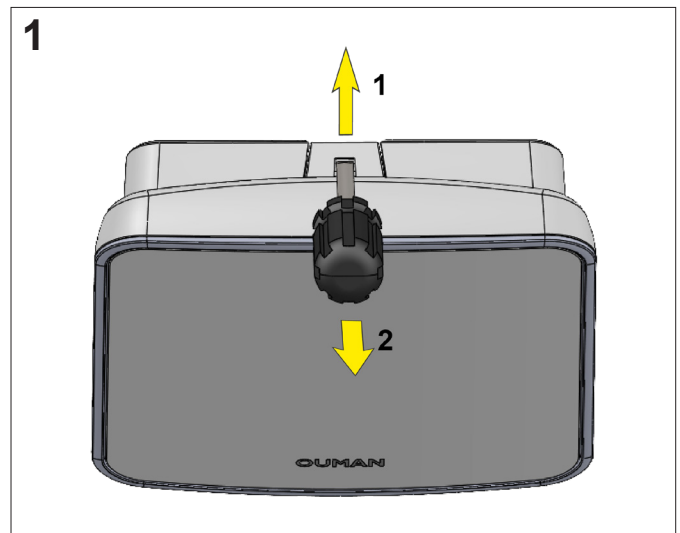
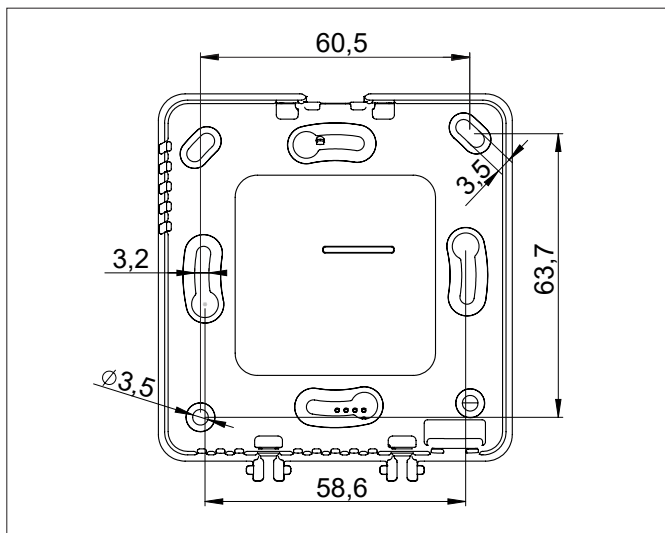


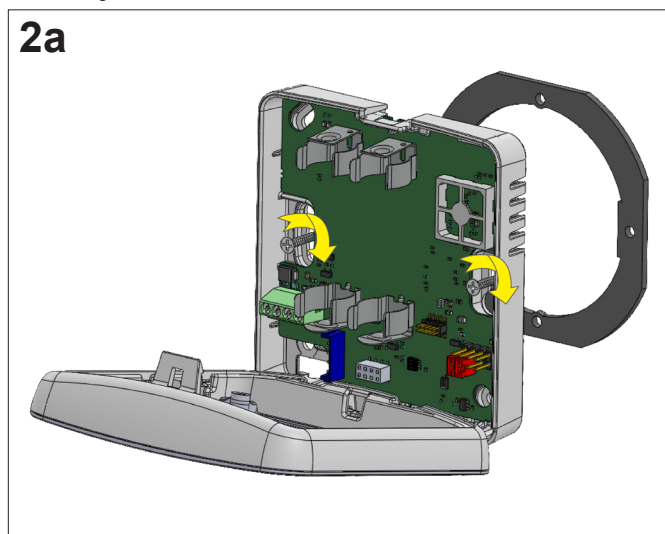
## Temperature- and humidity sensor Installation and connection instructions

OMA0579



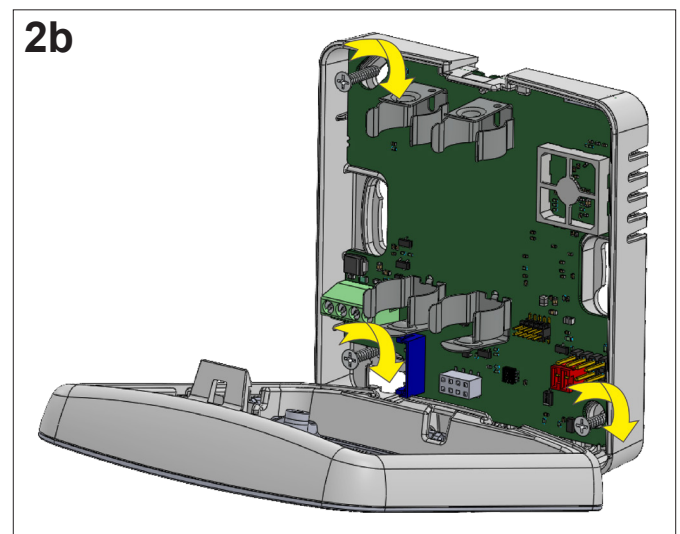
To the junction box

2a

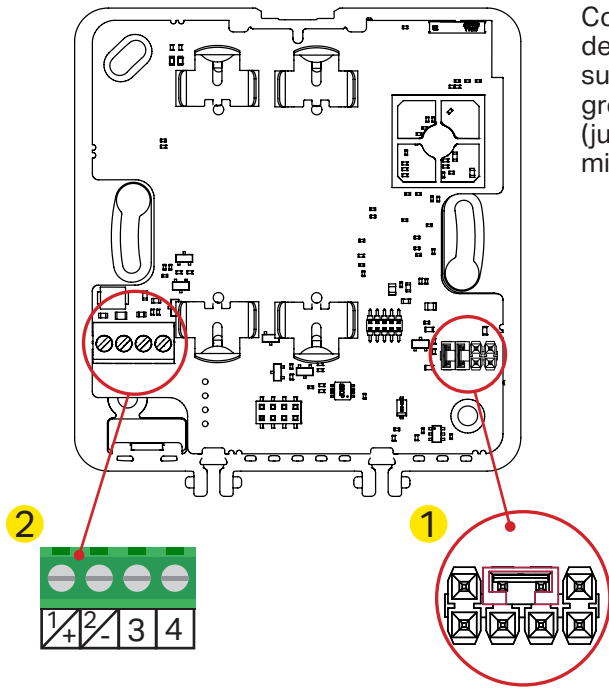


To the wall

2b



### AUX connection



Connect temperature measurement, digital input or water leak detector in terminal strips 3 and 4. **2** For the transmitter measurement connect terminal strips 3 and 4 (power source's ground  $\perp$ ) **2** and **1** remove the battery-side short-circuit (jumper) and turn the other short-circuit from upright to two middle pins in horizontal position on sensor circuit board.